



# VITROCERAMIC INFRARED CONCEPT

## VITRO SPEED GRILLS (VG)

- Ideal for out-front display cooking, banquets, catering, and room service
- Faster preheat and cook times - EASY to CLEAN
- Highly portable and convenient operation
- Rapid cooking with combined infrared radiant and contact heat
- Heavy duty vitroc ceramic cooking plates available
- Non-porous plate surface assures easy cleaning and prevents carbon build up
- Perfectly counterbalanced top plate effectively accommodates wide range of food products
- Thermostatically controlled up to 570°F with fast preheating and even heat distribution
- Stainless steel body with front grease drawer
- Extra high power output on 208/240V models
- Robust heavy-duty construction
- Three position electronic timer
- Toasting Collar creates a heat chamber to reduce toasting, warming and cooking times

### PANINI-VG

120 V or 208/240 V



#### OPTIONS

- \* ribbed top / smooth bottom
- \* smooth top / smooth bottom

### DIABLO-VG

208/240 V



#### OPTIONS

- \* ribbed top / smooth bottom
- \* smooth top / smooth bottom
- \* ribbed top / ribbed bottom

### TOASTING COLLAR



- \*speeds up toasting, warming and cooking
- \*removable for easy cleaning



100 NIANTIC AVENUE; SUITE 104 PROVIDENCE, RI 02907  
 TEL: (401)273-3300 FAX: (401)273-3328 E-mail: sales@equipex.com  
 www.equipex.com

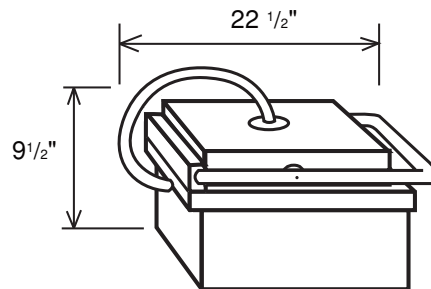
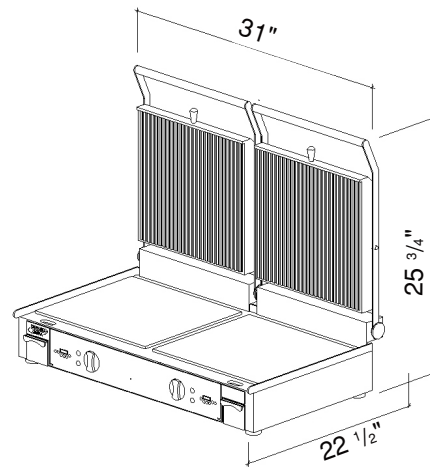
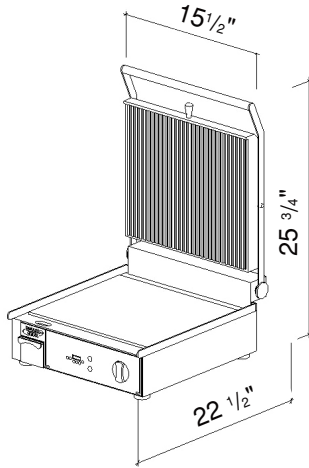




# INFRARED PANINI PRESSES & GRIDDLE

## PANINI-VG

## DIABLO-VG



## SPECIFICATIONS

INSTALLATION CLEARANCE: 2" EACH SIDE

MODEL	ELECTRICAL	DIMENSIONS	WORK SURFACE	SHIPPING WEIGHT	NEMA
PANINI VG	120V, 1PH, 1.75KW, 14Amps	15 1/2"Wx22 1/2"Dx25 3/4"H	13 1/4"Wx12"D	50 lbs	5-15P
	208/240V, 1PH, 3.0KW, 12/14Amps				6-20P
DIABLO VG	208/240V, 1PH 6.0KW, 22/25Amps	31"Wx22 1/2"Dx25 3/4"H	(2) 13 1/4"Wx12"D	68 lbs	6-50P

\*All equipment must be plugged into a dedicated circuit of the proper ratings.

**WARRANTY: Limited one year parts and labor**



100 NIANTIC AVENUE; SUITE 104 PROVIDENCE, RI 02907  
 TEL: (401)273-3300 FAX: (401)273-3328 E-mail: sales@equipex.com  
 www.equipex.com