



Operation Manual
For
Sodir
CO6 Egg Cooker



765 Westminster Street • Providence, Rhode Island 02903 • U.S.A.

Tel: (401) 273-3300

Fax: (401) 273-3328

www.equipex.com

e-mail: service@equipex.com





IMPORTANT SAFEGUARDS

When using electrical appliances, basic safety precautions should always be followed, including the following:

1. Read all the instructions before use.
2. Do not touch hot surfaces; use handles or knobs.
3. To avoid electric shock, **do not immerse the power cord, or any part of the unit**, in any liquid.
4. Close supervision is necessary when any appliance is used, especially around children.
5. Unplug appliance from the electrical outlet when not in use, and before cleaning. Allow appliance to cool before installing or removing any parts or accessories, and before cleaning.
6. Do not operate any appliance with a damaged cord or plug, or if appliance should sustain damage, or malfunction in any way. In this event, return appliance to the nearest authorized service facility for examination, repair or adjustment.
7. The use of accessories and/or attachments not recommended by the appliance manufacturer may cause injury or damage to the appliance, and may void your warranty.
8. Do not use outdoors.
9. Do not allow the power cord to hang over the edge of a table or counter, or to be exposed to hot surfaces, as damage may occur.
10. Do not place appliance on or near a burner, or in a heated oven.
11. To disconnect an appliance, **first** turn all controls to the '**off**' position; *then* unplug the power cord from the wall outlet.
12. Do not use appliance other than for its intended use.
13. SAVE THESE INSTRUCTIONS FOR LATER USE!

INTRODUCTION

The **SODIR** model CO6 egg cooker is designed to offer individual self service egg cooking. It is constructed with a food service quality stainless steel water chamber, and stylish black front and rear end plates with integrated handles. The water chamber is heated by a replaceable cal-rod element, designed to ensure rapid rise in temperature and uniform heating of the entire chamber. The heating element is thermostatically controlled to allow cooking from a slow steam through a rolling boil. The supplied cover helps to return steam to the water chamber, slowing evaporation and the need to refill. The front panel incorporates a push-button power switch and thermostat indicator lamp. The indicator lamp lights, when the heating element is actively heating the water chamber. The unit is supplied with six egg baskets, and will accommodate ten.

Specifications:

Model Configuration	Electrical	Plug
CO6	120V, 1PH, 1.2KW, 10A	NEMA-5-15P

INSTALLATION

The **SODIR** egg cooker needs to be connected to a grounded 120V outlet. DO NOT place the unit in a damp area or near steam sources. Place unit on a level, heat resistant surface taking care to maintain at least 4" of clearance at each side and to the rear of the egg cooker.

ASSEMBLY

The SODIR egg cooker comes from the factory completely assembled. It is shipped with six egg baskets.

OPERATION

Initial Set-up

Before first use, wash the container, lid and outside of the machine with a soft rag moistened with a solution of soap and water. Wash the egg baskets by soaking in a solution of warm water and soap and brushing with a nylon scrub brush. Fill the container with water to the desired level. Never operate the egg cooker without water in the container as damage to the components will result. If the unit will not be used for several days, empty the container to avoid evaporation of the water and scale deposits. Changing the water daily is recommended.

Preheating

To preheat the egg cooker, select the temperature by rotating the thermostat knob clockwise to the desired temperature setting, then push in the power button. The orange light will stay on until the egg cooker reaches the desired temperature, and then cycle on and off. Allow about 20 minutes for the preheating process.

Cooking

Cooking times will vary depending on customer preference, temperature settings and desired results. Place the egg into the egg holder and then lower the holder into the water until the turn down of the handle rests on the outside lip of the container. Remove the egg basket when the desired time has been reached. To turn the egg cooker off, press the power button in and let it pop back out to the OFF position. Check the water level frequently to insure that the unit does not run out. The lid may be placed on the unit in between cooking times, throughout the day, to help prevent evaporation and water contamination.

Cleaning

WARNING: Disconnect (unplug) electrical power supply before cleaning

Cleaning is very important in maintaining a safe and well working machine. Allow the egg cooker to cool before cleaning. Use a cloth dampened slightly with soap and water to clean the stainless steel housing and container. Wash the egg baskets by soaking in a solution of warm water and soap and brushing with a nylon scrub brush. Clean the egg cooker thoroughly at the end of each day. Failure to do so may cause hard to remove build up. Make sure no water enters the unit through the ventilation holes around the unit and under the top plate(s).

DO NOT use an abrasive sponge on exterior surfaces

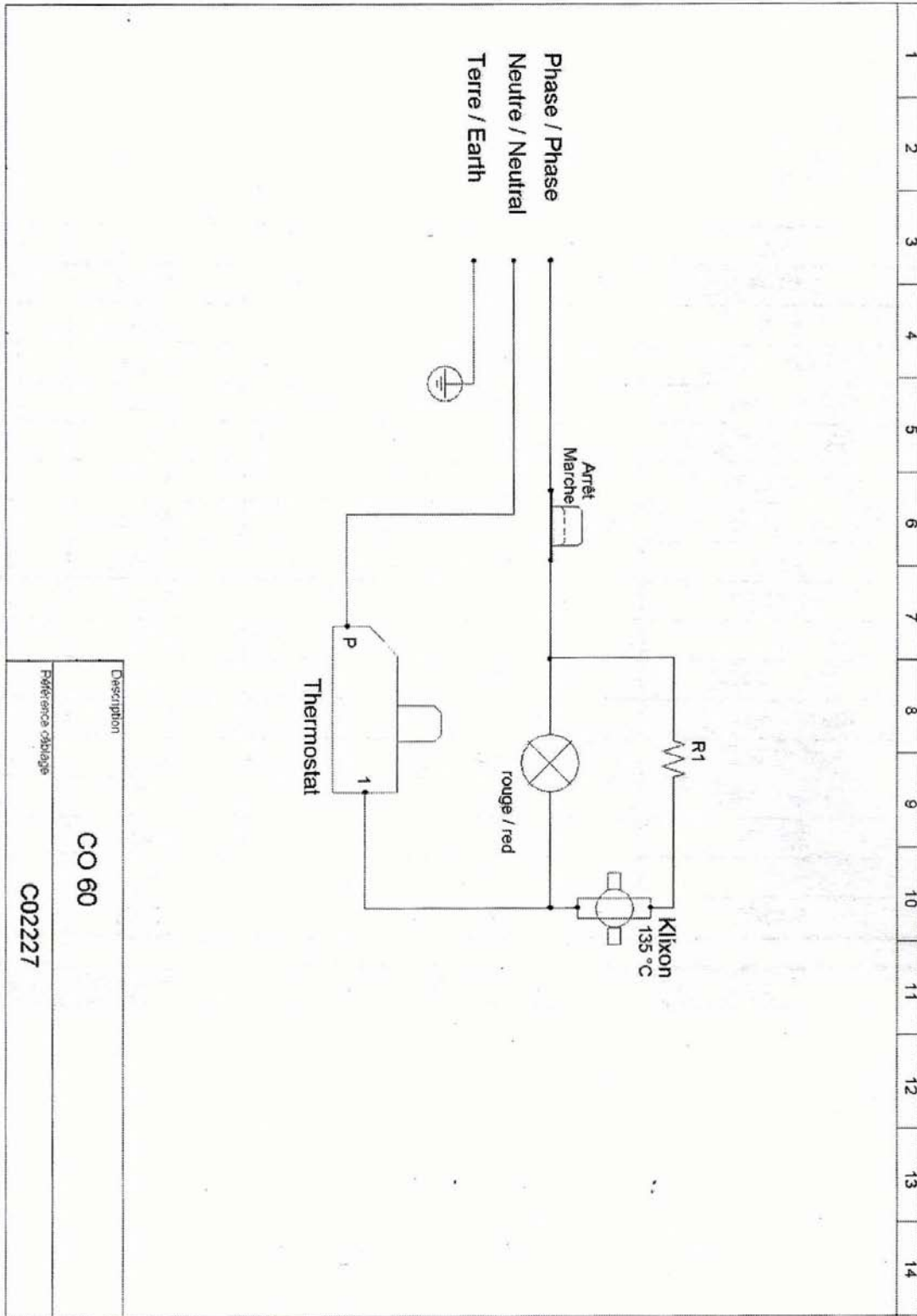
DO NOT wash the Egg Cooker under running water

DO NOT allow water to drip into the housing or onto electrical components

Maintenance

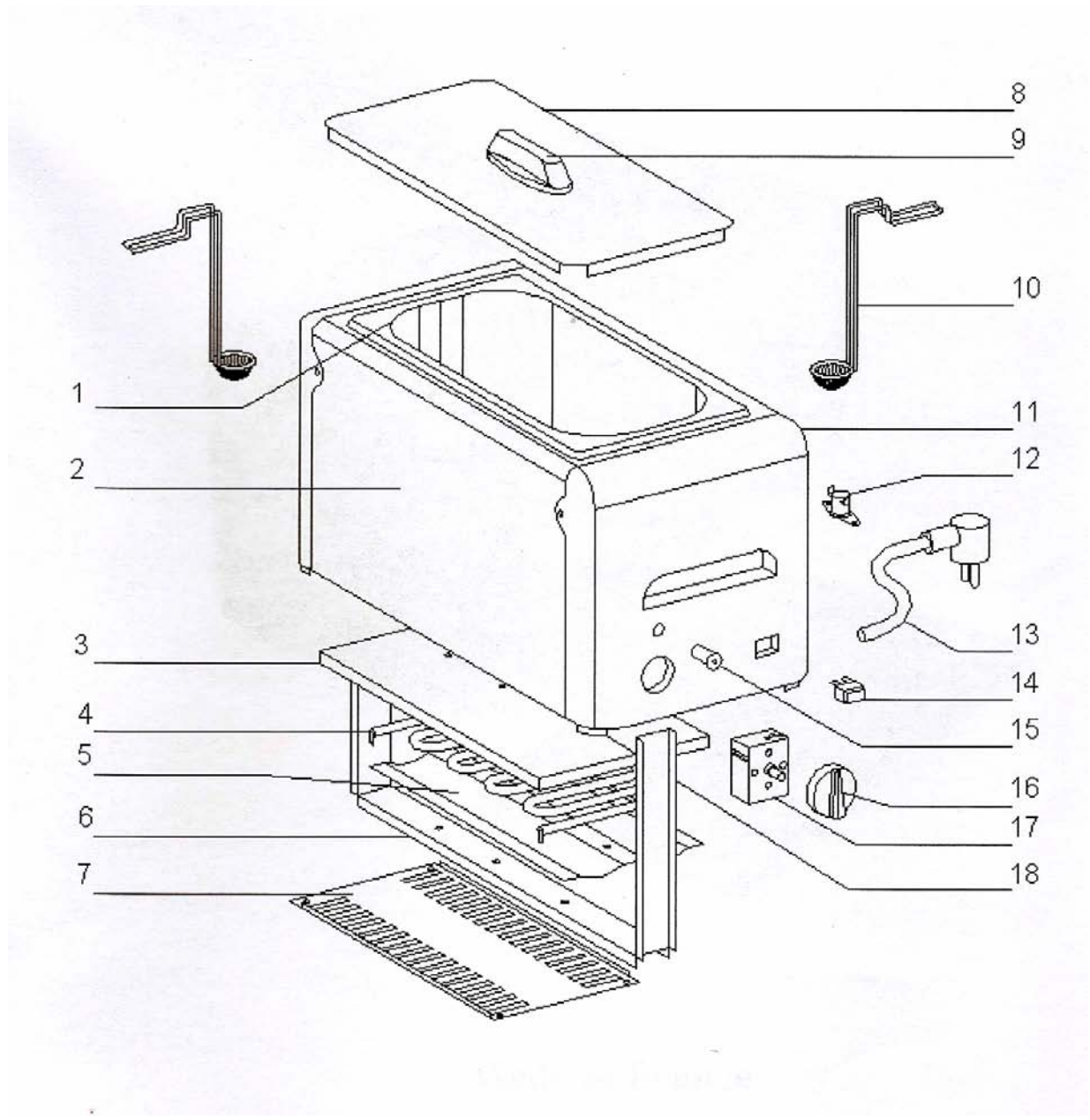
You should inspect all parts on a regular basis to ensure that all is in proper working order. If a part is damaged, have the unit repaired by an authorized service agency prior to returning the unit to operation. If you have trouble locating a service agency in your area, please consult our website at <http://www.equipex.com/>, or call us at 1-800-649-7885 and ask for customer service.

Electrical Diagram CO6 Egg Cooker



Description	CO 60
Reference câblage	C02227

CO6 Egg Cooker Exploded Diagram



EQUIPEX, LLC

765 Westminster Street, Providence, RI 02903

Phone: (410) 273-3300 Fax: (401) 273-3328 Toll Free: 1-800-649-7885

SODIR Model CO6 Egg Cooker (120V/60Hz/1Phase)

DWG#	Part Number	Qty.	Description
------	-------------	------	-------------

1	F05001	1	Container
2	O7131	1	Casing
3	O7129	1	Aluminum Plate
4	D02159	1	Heating Element 120V
5	O7128	1	Pressure Plate
6	O7143	1	Container Holder
7	O7130	1	Bottom Casing
8	O7134	1	Lid
9	A15015	1	Lid Handle
10	F04013	6	Basket
11	H04221SER	1	Left/Right Plastic Side
12	A06034	1	Safety Thermostat
13	OEM0011	1	Cord with Plug
14	A07014	1	Power Switch
15	A08003	1	Orange Pilot 120V
16	A14084	1	Knob
17	A06044	1	Thermostat
18	A12020	4	Foot