



Operation Manual
For
Sodir
TS-127 and TS327



765 Westminster Street • Providence, Rhode Island 02903 • U.S.A.
Tel: (401) 273-3300 Fax: (401) 273-3328
www.equipex.com e-mail: service@equipex.com



11/27/12



IMPORTANT SAFEGUARDS

When using electrical appliances, basic safety precautions should always be followed, including the following:

1. Read all the instructions before use.
2. Do not touch hot surfaces; use handles or knobs.
3. To avoid electric shock, **do not immerse the power cord, or any part of the unit**, in any liquid.
4. Close supervision is necessary when any appliance is used, especially around children.
5. Unplug appliance from the electrical outlet when not in use, and before cleaning. Allow appliance to cool before installing or removing any parts or accessories, and before cleaning.
6. Do not operate any appliance with a damaged cord or plug, or if appliance should sustain damage, or malfunction in any way. In this event, return appliance to the nearest authorized service facility for examination, repair or adjustment.
7. The use of accessories and/or attachments not recommended by the appliance manufacturer may cause injury or damage to the appliance, and may void your warranty.
8. Do not use outdoors.
9. Do not allow the power cord to hang over the edge of a table or counter, or to be exposed to hot surfaces, as damage may occur.
10. Do not place appliance on or near a burner, or in a heated oven.
11. To disconnect an appliance, **first** turn all controls to the 'off' position; *then* unplug the power cord from the wall outlet.
12. Do not use appliance other than for its intended use.
13. SAVE THESE INSTRUCTIONS FOR LATER USE!

INTRODUCTION

The **SODIR** models TS127 and TS-327 countertop snack toasters are designed to offer speedy toasting melting and finishing. The toasters are constructed of food service quality stainless steel for commercial applications, and are especially useful where a small footprint is needed. The units are equipped with quartz heating elements, which reach full temperature in seconds, a four-position mode switch and a 13-minute timer on the TS-327, or 15-minute timer on the TS-127. Both have constant on position. A green power indicator light turns on when the timer is turned on, and an orange element indicator light turns on when the mode switch is moved from the off position. The TS-127 comes with one wire rack with handles, and the TS-327 comes with two, one of which, used on the top, has a removable integrated cover panel to help hold in the heat.

Specifications:

Model Configuration	Electrical	Plug
TS-127	208/240V, 1 PH, 3.0KW, 11/13A	NEMA-6-20P
TS-327	208/240V, 1 PH, 4.8KW, 18/20A	NEMA-L6-30P

INSTALLATION

The **SODIR** toaster needs to be connected to a grounded outlet of proper voltage of 208/240V. DO NOT place the unit in a damp area or near steam sources. If toaster is installed over heating elements or burners, place it on an insulated shelf. When positioning the toaster, make sure that the ventilation holes are not blocked, especially at the rear. Maintain 4" clearance at each side, rear and top of the toaster.

ASSEMBLY

The SODIR toaster comes from the factory completely assembled. It is shipped with plastic exterior protective film, which must be removed before operation. DO NOT operate the toaster prior to removing the protective film completely.

OPERATION

Cooking

To operate the snack toaster, rotate the mode switch knob clockwise to the desired element setting - top, bottom or all elements on. Minor (10-25 seconds) preheating is necessary. On the TS-327 model, the center row of quartz tubes operates in all positions but the off position. Next, turn the timer knob, which also acts as an ON/OFF switch, to the desired time setting, or constant 'on' position designated by the hand graphic. Both indicator lights (green and orange) will be lit. The orange light will stay on when the heating elements are operating. The green light will stay on until the timer expires or is turned off.

The SODIR snack toasters can be used for a wide variety of foods. Cooking times will vary depending on food product temperature and type, and desired results.

Cleaning

WARNING: Disconnect (unplug) electrical power supply before cleaning

Cleaning is very important in maintaining a safe and well working machine. Allow the toaster to cool before cleaning. Remove the baking racks and clean them separately using a damp cloth or sponge and mild liquid soap. Use a cloth dampened slightly with a soap and water mixture to clean all exterior and interior stainless steel surfaces. Use a clean lint-free cloth to remove the excess water or soap. Make sure no water enters the unit through ventilation holes.

DO NOT use an abrasive sponge on exterior or interior surfaces

DO NOT wash the toaster under running water

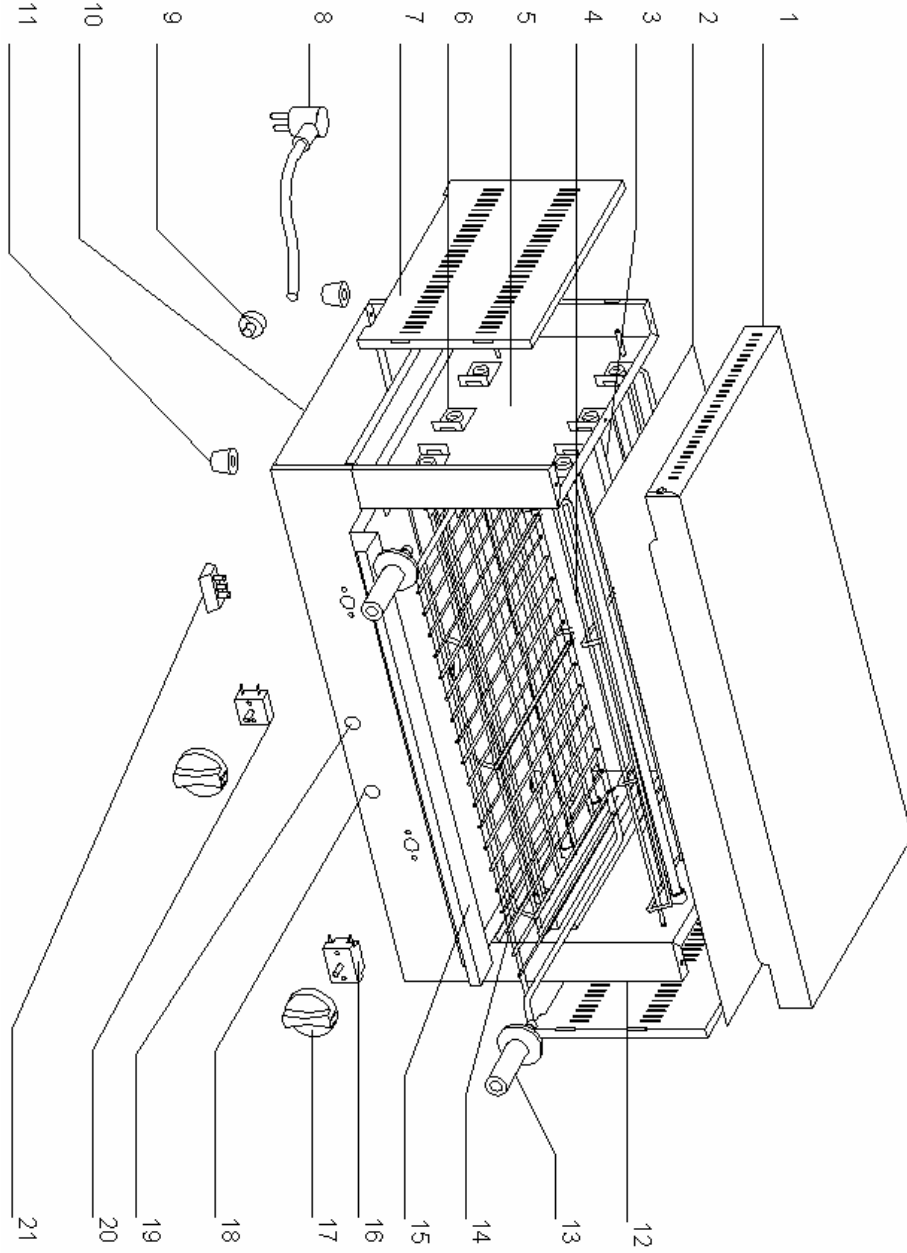
DO NOT spray the exterior motor housing with any liquid

DO NOT allow water to drip into the housing or onto electrical components

Maintenance

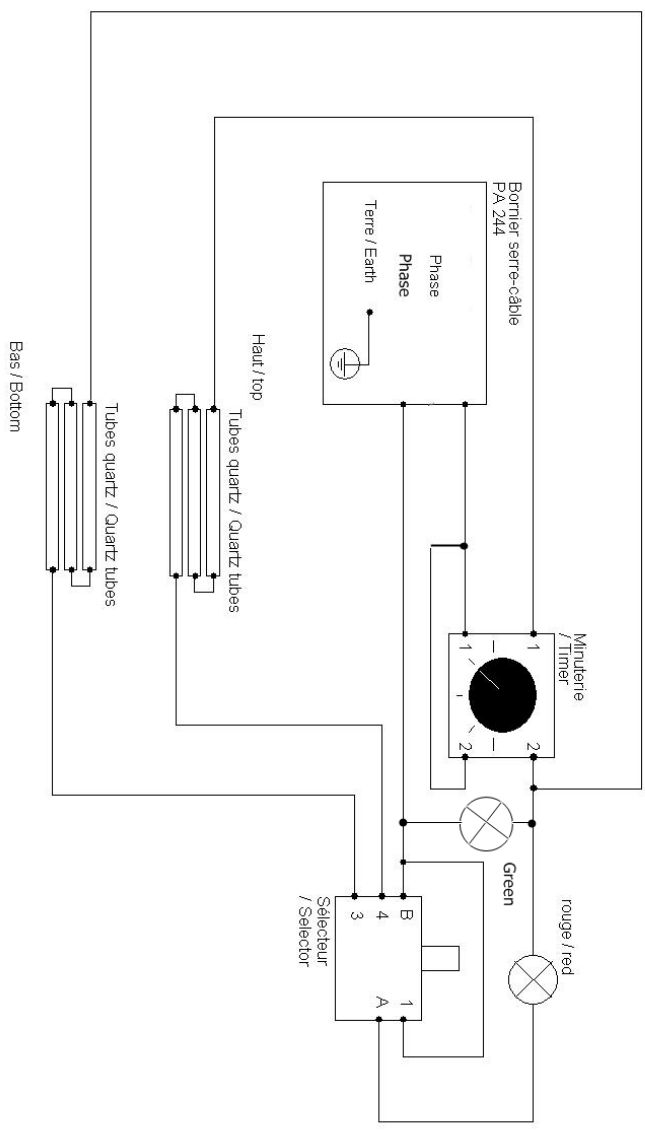
You should inspect all parts on a regular basis to ensure that all is in proper working order. If a part is damaged, have the unit repaired by an authorized service agency prior to returning the unit to operation. If you have trouble locating a service agency in your area, please consult our website at <http://www.equipex.com/>, or call us at 1-800-649-7885 and ask for customer service.

Spare Parts TS-127



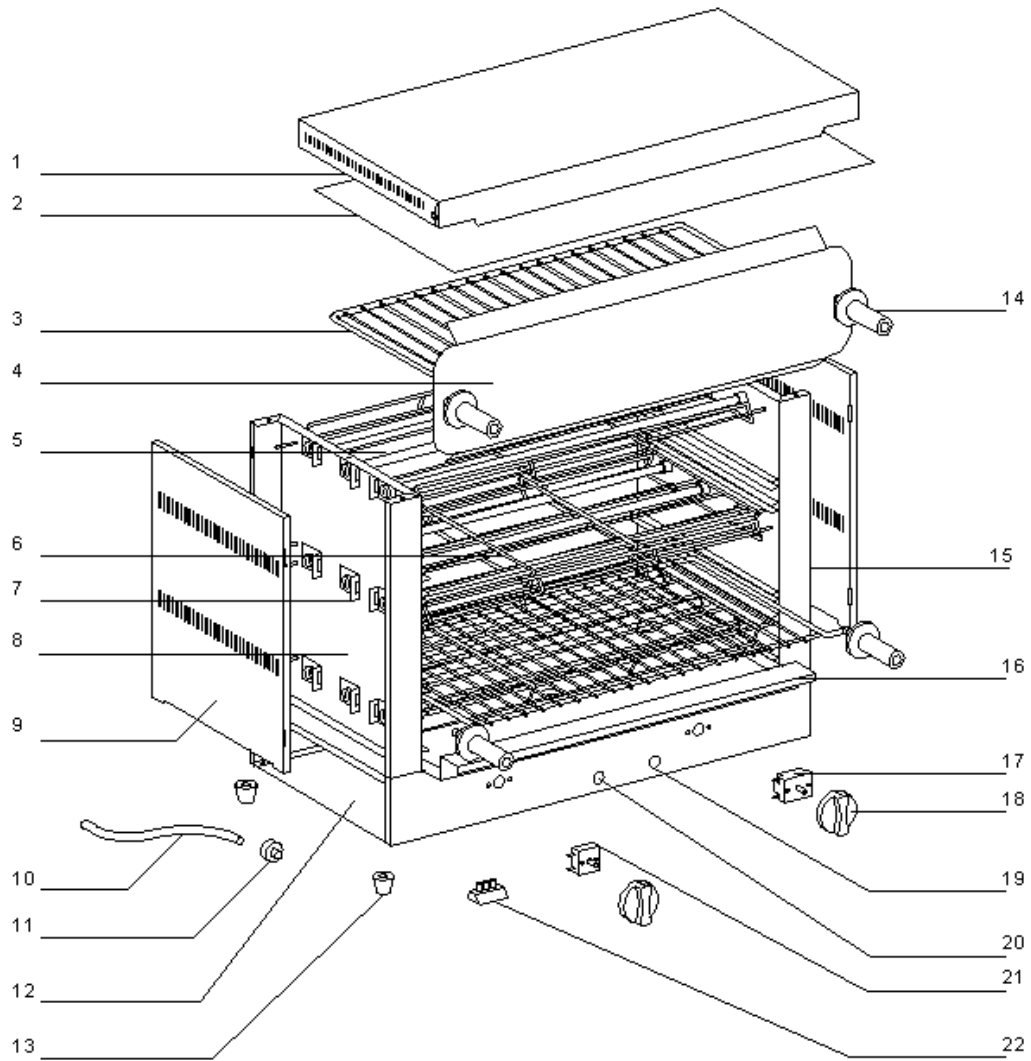
Spare Parts TS-127

DWG #	Part Number	Qty	Description
1	44043	1	Roof
2	44044	1	Inside roof
3	D04033	6	Tube quartz assembly
4	F01026	2	Tubes protecting grid
5	44048SE	1	Left upright
6	B07025	12	Clips
7	44046	2	Wall
8	OEM0022	1	Cord with plug
9	A10032	1	Cord closer 16
10	44037	1	Bottom enclosure
11	A13017	4	Foot
12	44047SE	1	Right upright
13	A17010	2	Grid holder handle
14	F01062	1	Grid
15	44041	1	Tray
16	A02008	1	Timer
17	A14078	2	Knob
18	A08009	1	Green pilot light
19	A08003	1	Orange pilot light
20	A01017	1	Mode Switch
21	A16013	1	Three Position Terminal Block



Modifications		Date	Nom	Description
Date	Nom			TS 127
25/05/2007	A. David			
Reference câblage				

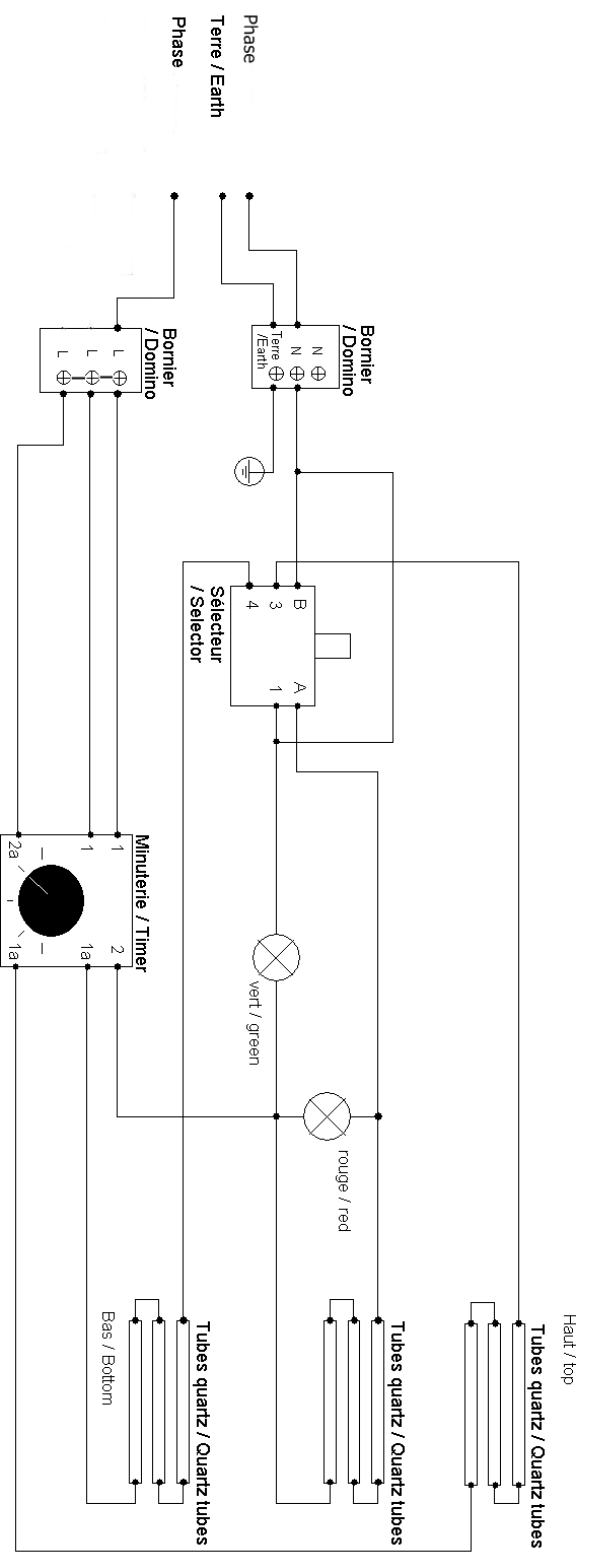
Spare Parts TS-327



Spare Parts TS-327

DWG#	Part Number	Qty	Description
1	44043	1	Roof
2	44044	1	Inside roof
3	F01062	2	Grid
4	44035	1	Grid deflector
5	D04033	9	Tube quartz assembly
6	F01026	4	Tubes protecting grid
7	B07025	18	Clips
8	44040SE	1	Left upright
9	44036	2	Wall
10	OEM0052	1	Cord
11	A10032	1	Cord closer 16
12	44037	1	Bottom enclosure
13	A13017	4	Foot
14	A17010	4	Grid holder handle
15	44039SE	1	Right upright
16	44041	1	Tray
17	A02002	1	Timer
18	A14078	2	Knob
19	A08009	1	Green pilot light
20	A08003	1	Orange pilot light
21	A01017	1	Mode Switch
22	A16013	2	Three Position Terminal Block

1	2	3	4	5	6	7	8	9	10	11	12	13	14
---	---	---	---	---	---	---	---	---	----	----	----	----	----



Modifications		Date	Nom	Description
Date	Nom			TS 3270
09/05/2007	A. David			
				Reference câblage



LIMITED WARRANTY

Your new **EQUIPEX** product is warranted to the original purchaser for a period of one year from the date of purchase.

This limited warranty is against defects from original factory imperfections in material and/or workmanship and includes labor for replacement of defective parts, provided repairs are performed by an authorized service agency. Our obligation under this warranty is limited to repairing or replacing any part or parts thereof. The CUSTOMER must inform the Service Agency of warranty coverage and provide a copy of the dated sales or delivery receipt BEFORE WARRANTY REPAIRS BEGIN. Replacement parts and accessories are warranted for ninety (90) days from the date of purchase when purchased separately and will be verified by dated sales receipt or packing slip for that item. All parts or accessories replaced under warranty must be returned to the Service Agency.

This warranty applies only to equipment under normal use and service in the U.S.A. and Canada. It does not apply to any item which has been repaired or altered in any way so as, in the judgment of EQUIPEX, to affect its reliability.

THE FOLLOWING ARE NOT COVERED UNDER WARRANTY:

1. Damage caused by abuse, misuse or dropping or other similar incidental damage caused by, or as a result of, customer failure to follow assembly, operation, cleaning, user maintenance or storage instructions.
2. Labor to replace inoperative parts such as bulbs, plugs or racks due to normal wear and tear or abuse.
3. Materials or labor to repair scratched, stained, chipped, pitted, dented or discolored surfaces, attachments or accessories.
4. Transportation charges to or from a service agency for repair of your machine. If you should have questions relating to this issue, please call **Equipex** at 1-800-649-7885.
5. Labor charges to install or test attachments or accessories, which are replaced for any reason.
6. SHIPPING DAMAGES. Visible and hidden damages are the responsibility of the freight carrier. The consignee must file the claim promptly against the carrier. KEEP ALL ORIGINAL CONTAINERS AND PACKAGING MATERIAL FOR CARRIER INSPECTION.
7. Products placed or stored in the equipment are not subject to this warranty and no responsibility is assumed thereof.

THIS WARRANTY IS GIVEN EXPRESSLY AND IN LIEU OF ALL OTHER WARRANTIES, EXPRESSED OR IMPLIED, FOR MERCHANTABILITY AND FOR FITNESS TOWARD A PARTICULAR PURPOSE AND CONSTITUTES THE ONLY WARRANTY MADE BY EQUIPEX, LLC. IT NEITHER ASSUMES, NOR AUTHORIZES ANY PERSON TO ASSUME FOR US, ANY OTHER LIABILITY IN CONNECTION WITH THE SALE OF THE SUBJECT EQUIPMENT.

For service, please call **EQUIPEX** at 1-800-649-7885, menu option # 3

765 Westminster Street • Providence, Rhode Island 02903 • U.S.A.

Tel: (401) 273-3300

Fax: (401) 273-3328

www.equipex.com

e-mail: service@equipex.com