



Operation Manual
For
Sodir
Warm-It Single, Double and Drop-In



765 Westminster Street • Providence, Rhode Island 02903 • U.S.A.
Tel: (401) 273-3300 Fax: (401) 273-3328
www.equipex.com e-mail: service@equipex.com



IMPORTANT SAFEGUARDS

When using electrical appliances, basic safety precautions should always be followed, including the following:

1. Read all the instructions before use.
2. Do not touch hot surfaces; use handles or knobs.
3. To avoid electric shock, **do not immerse the power cord, or any part of the unit**, in any liquid.
4. Close supervision is necessary when any appliance is used, especially around children.
5. Unplug appliance from the electrical outlet when not in use, and before cleaning. Allow appliance to cool before installing or removing any parts or accessories, and before cleaning.
6. Do not operate any appliance with a damaged cord or plug, or if appliance should sustain damage, or malfunction in any way. In this event, return appliance to the nearest authorized service facility for examination, repair or adjustment.
7. The use of accessories and/or attachments not recommended by the appliance manufacturer may cause injury or damage to the appliance, and may void your warranty.
8. Do not use outdoors.
9. Do not allow the power cord to hang over the edge of a table or counter, or to be exposed to hot surfaces, as damage may occur.
10. Do not place appliance on or near a burner, or in a heated oven.
11. To disconnect an appliance, **first** turn all controls to the '**off**' position; *then* unplug the power cord from the wall outlet.
12. Do not use appliance other than for its intended use.
13. SAVE THESE INSTRUCTIONS FOR LATER USE!

INTRODUCTION

The **SODIR Warm-It** models **Single** and **Double**, are small profile countertop warmers. The **Drop-In** version is designed to drop into a countertop cutout for convenient surface mounting. They are designed to warm toppings and sauces to the proper consistency to enable you to easily, quickly and hygienically dispense your toppings onto waffles, crepes or and other food products. The warmers are constructed of food service quality stainless steel for commercial applications, with stay cool handles molded into the plastic end panels. The units are equipped with a power light, sheathed circular heating element(s), regulating thermostat and power switch(s). The units are thermostatically controlled up to 200° F. The Warm-It Double can be operated in single or double warming chamber mode. All models include a magnetic timer for your convenience.

Specifications:

Model Configuration	Electrical	Plug
Warm-It Single	120V, 1 PH, 170W, 1.5A	NEMA-5-15P
Warm-It Drop-In	120V, 1 PH, 170W, 1.5A	NEMA-5-15P
Warm-It Double	120V, 1 PH, 340W, 3A	NEMA-5-15P

INSTALLATION

The **SODIR** warmer needs to be connected to a grounded 120V outlet. **DO NOT** place the unit in a damp area or near steam sources. Do not block ventilation holes. The warmers require 1 inches of clearance from walls or combustible materials. **DO NOT ADD WATER TO THE HEATING CHAMBER(S)!** Warming is accomplished without the use of water.

ASSEMBLY

The SODIR warmer comes from the factory completely assembled. Prior to operation, the unit should be cleaned using a soft cloth dampened with a solution of soap and water. Be sure not to drip any water into the base, or ventilation cutouts. The plastic containers should be washed before first use.

OPERATION

Preheating

DO NOT ADD WATER TO THE HEATING CHAMBER(S)! Warming is accomplished without the use of water. First, fill your bottle(s) $\frac{3}{4}$ full with your selected topping(s), and place in the heating chamber(s). If you wish to thin your mixture you may mix a tablespoon of nut oil with it, prior to filling the bottle.

The single warmer has a push button power switch; the drop-in warmer has an integrated power switch/thermostat, which is activated by turning the knob clockwise; and the double unit uses both push button power switch and the thermostat knob. When the unit is powered on, the green light will turn on. To preheat the warmer after cleaning and assembly, push in the power switch (if equipped), rotate the thermostat to the max heat setting and set the provided timer for 15 minutes. The simple timer included has buttons for minutes, seconds and start/stop. The units require this time to properly preheat. If using the double warmer, the front chamber can be used alone, and will heat when the knob is rotated clockwise. The rear chamber will heat if the push button switch is pushed in, but only while the thermostat knob is turned on as well. The rear chamber cannot operate alone, but heats along with the front chamber.

Operation

Once the timer signals the end of the preheating cycle, rotate the thermostat knob counter-clockwise to the desired heat setting, generally between 120° and 140° F. The unit will continue to operate until the knob is rotated fully counter-clockwise to the “off” position, and the push button, if equipped, is in the off/out position.

The SODIR warmer can be used for a wide variety of toppings. Holding temperature will vary depending on topping, desired results and health code requirements.

Cleaning

WARNING: Disconnect (unplug) electrical power supply before cleaning

Cleaning is very important in maintaining a safe and well working machine. Allow the warmer to cool and disconnect it from power before cleaning. Use a cloth dampened slightly with a soap and water mixture to clean all exterior and interior stainless steel and plastic surfaces. Use a clean lint-free cloth to remove the excess water or soap. Make sure no water enters the unit through ventilation holes. Empty and wash topping bottles, unless storing overnight. In this event, the top cover should be washed at the end of every day to avoid clogging.

DO NOT use an abrasive sponge on exterior or interior surfaces

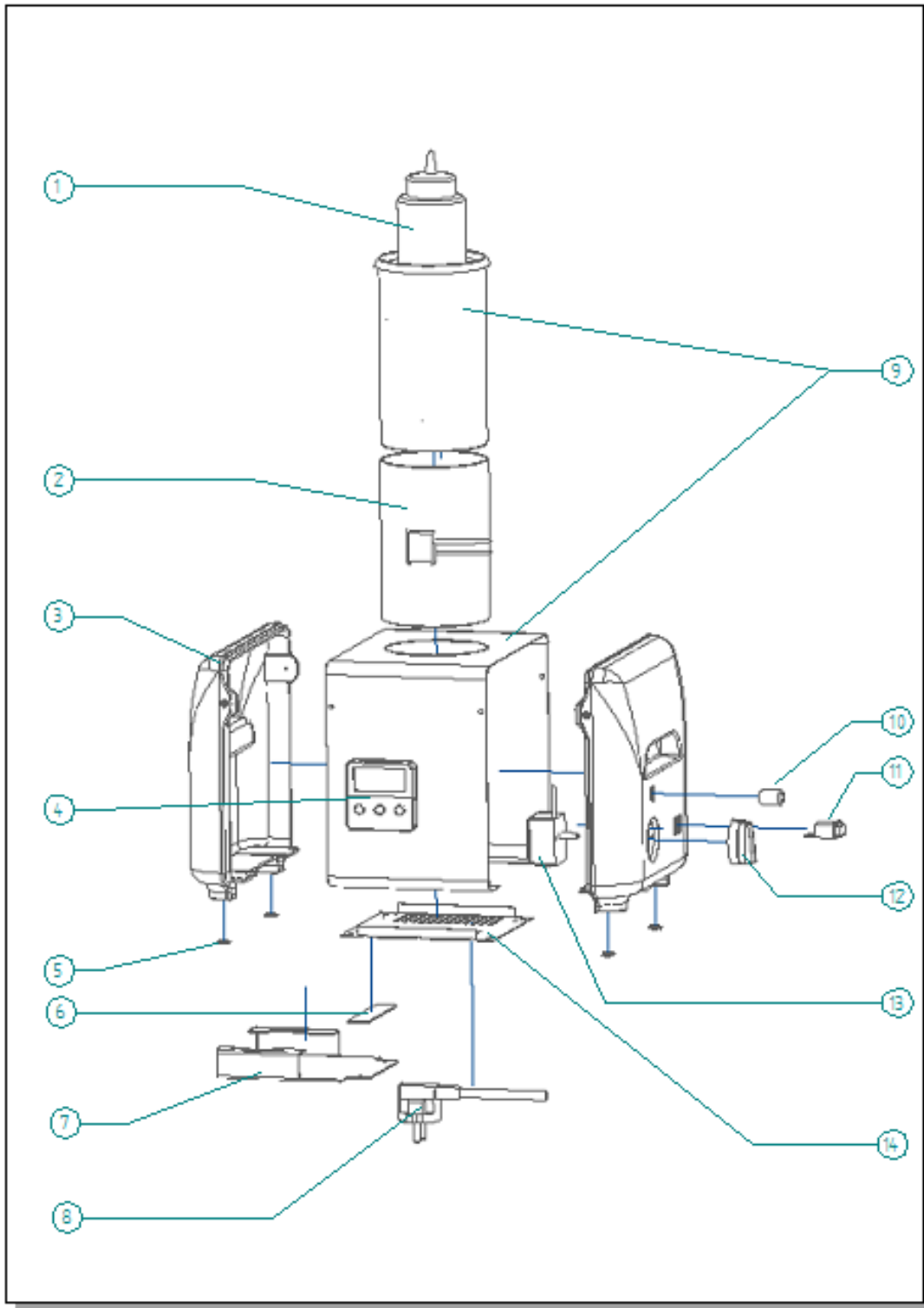
DO NOT wash the warmer under running water

DO NOT allow water to drip into the warmer housing or onto electrical components

Maintenance

You should inspect all parts on a regular basis to ensure that all is in proper working order. If a part is damaged, have the unit repaired by an authorized service agency prior to returning the unit to operation. If you have trouble locating a service agency in your area, please consult our website at <http://www.equipex.com/>, or call us at 1-800-649-7885 and ask for customer service.

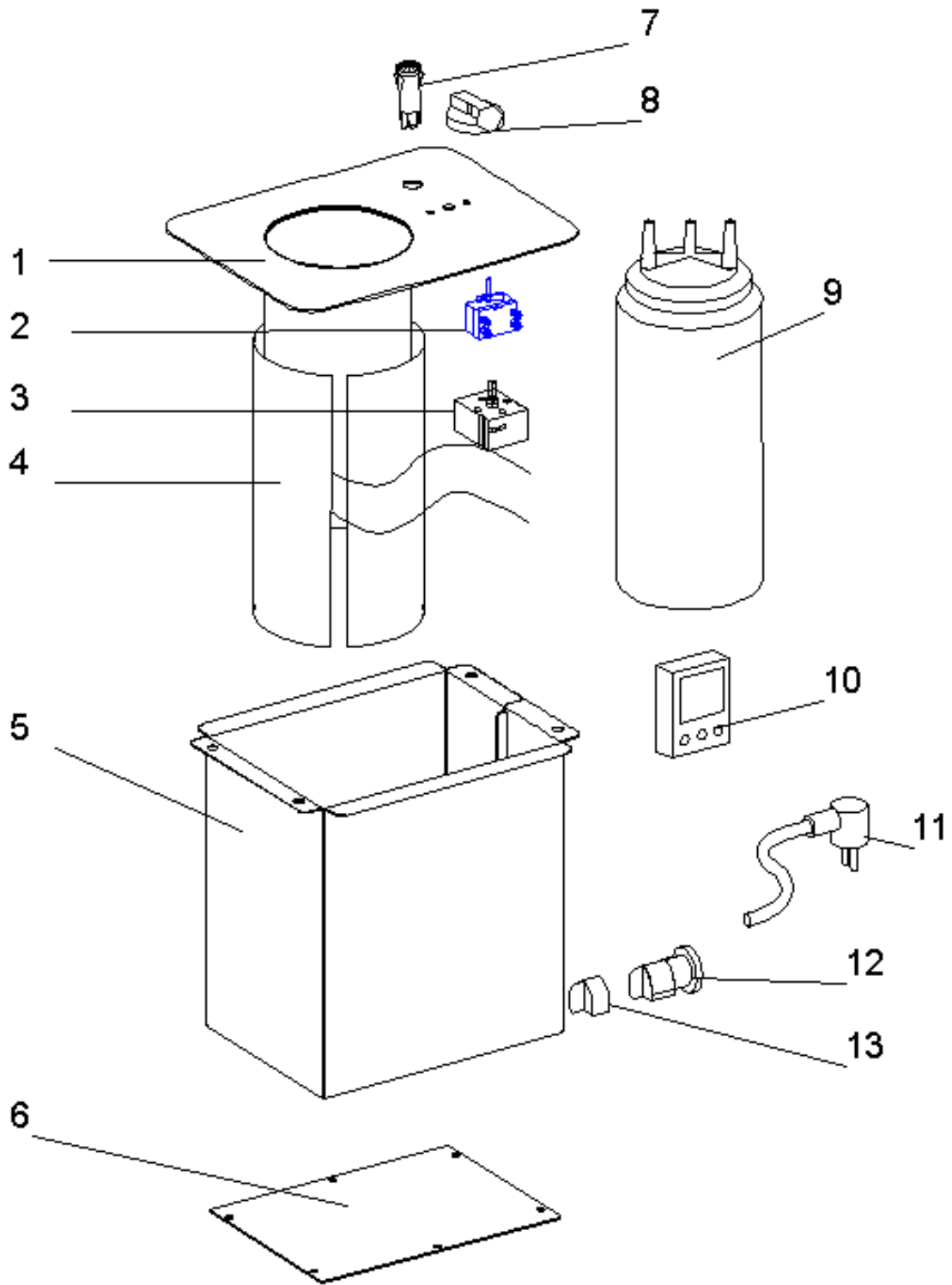
Exploded Diagram Warm-It Single



Spare Parts Warm-It Single

Dwg#	Part Number	Qty	Pièce	Description
1	F07026	2	Bouteille plastique	Plastic bottle
2	D02174	1	Element chauffant	Heating element
3	H04221SER	1	Jeu coques plastique	Plastic side (set) right and left
4	A02031	1	Minuterie	Timer
5	A12020	4	Pied	Foot
6	40306	1	Cale présentoir	Holder block
7	40305	1	Présentoir	Holder
8	OEM 0011	1	Cordon avec prise	Cord with plug
9	40299SE	1	Ceinture +bac+collage	Casing+tank
10	A08007	1	Voyant vert	Green pilot light
11	A07014	1	Bouton poussoir	Power Switch
12	A14111	1	Bouton	Knob
13	A06021	1	Thermostat	Thermostat
14	40300	1	Fond	Bottom

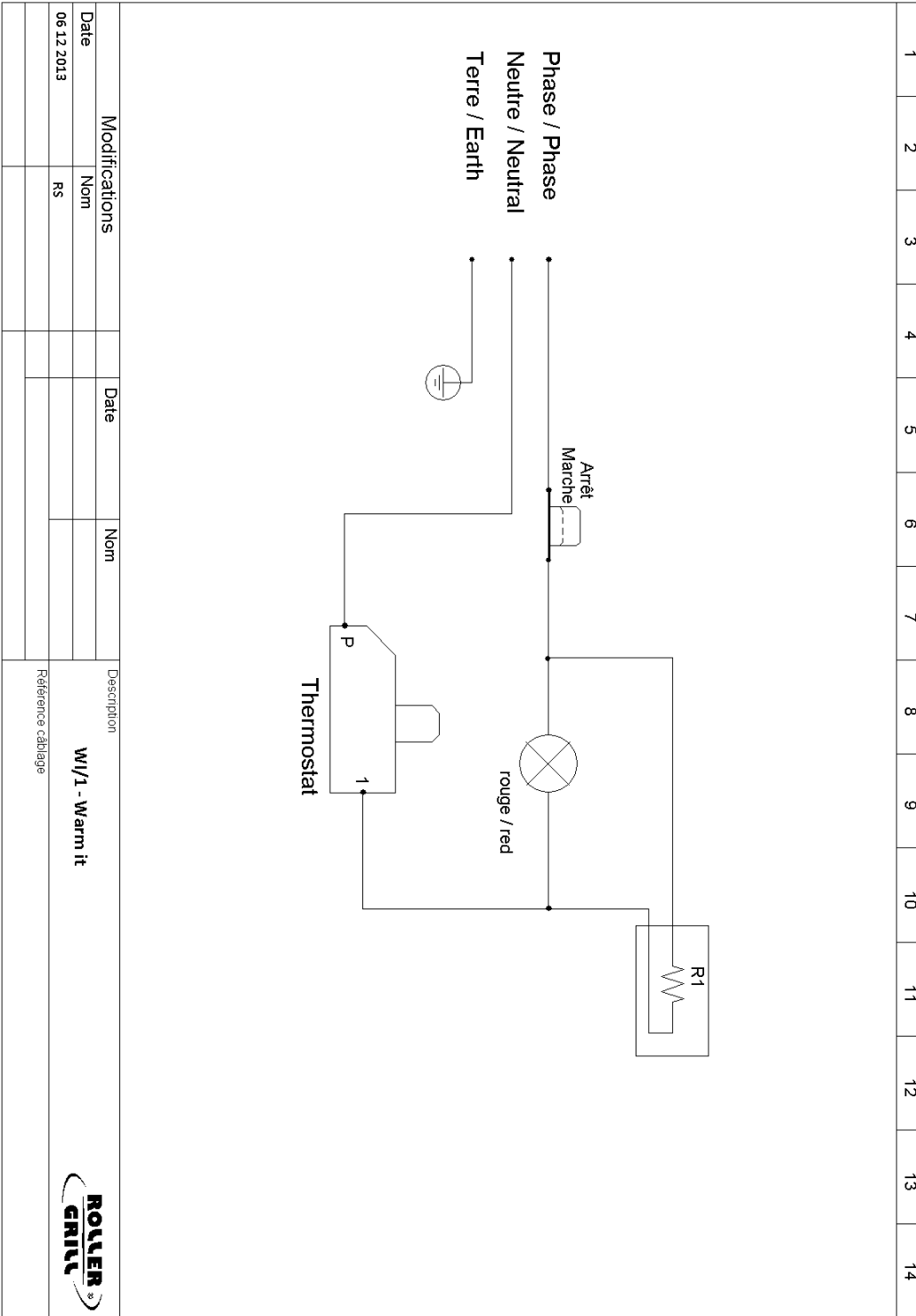
Exploded Diagram Warm-It Drop-In



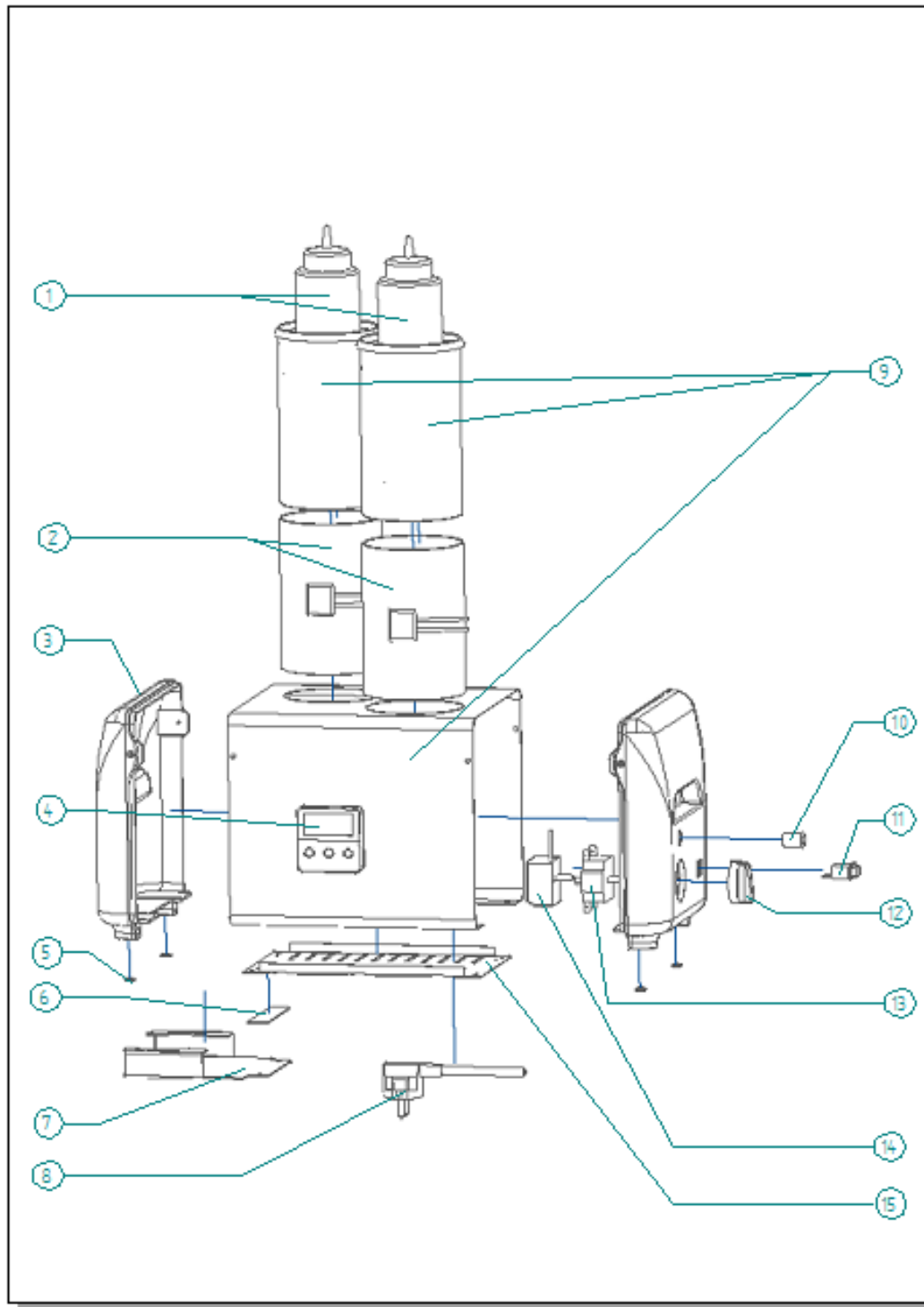
Spare Parts Warm-It Drop-In

Rep	Code	Qty	Pièce	Spare part
1	40292SE	1	Dessus+bac+collage	Top+tank
2	A01020	1	Commutateur	Power Switch
3	A06021	1	Thermostat	Thermostat
4	D02174	1	Element chauffant	Heating element
5	40291	1	Boite	Body
6	40293	1	Fond boite	Bottom enclosure
7	A08007	1	Voyant vert	Green pilot light
8	A14111	1	Bouton	Knob
9	F07026	2	Bouteille plastique	Plastic bottle
10	A02031	1	Minuterie	Timer
11	OEM 0011	1	Cordon	Cord with plug
12	A10039	1	Serre cable	Strain Relief
13	A10040	1	Contre ecrou	Lock nut

Electrical Diagram Warm-It Single and Drop-In



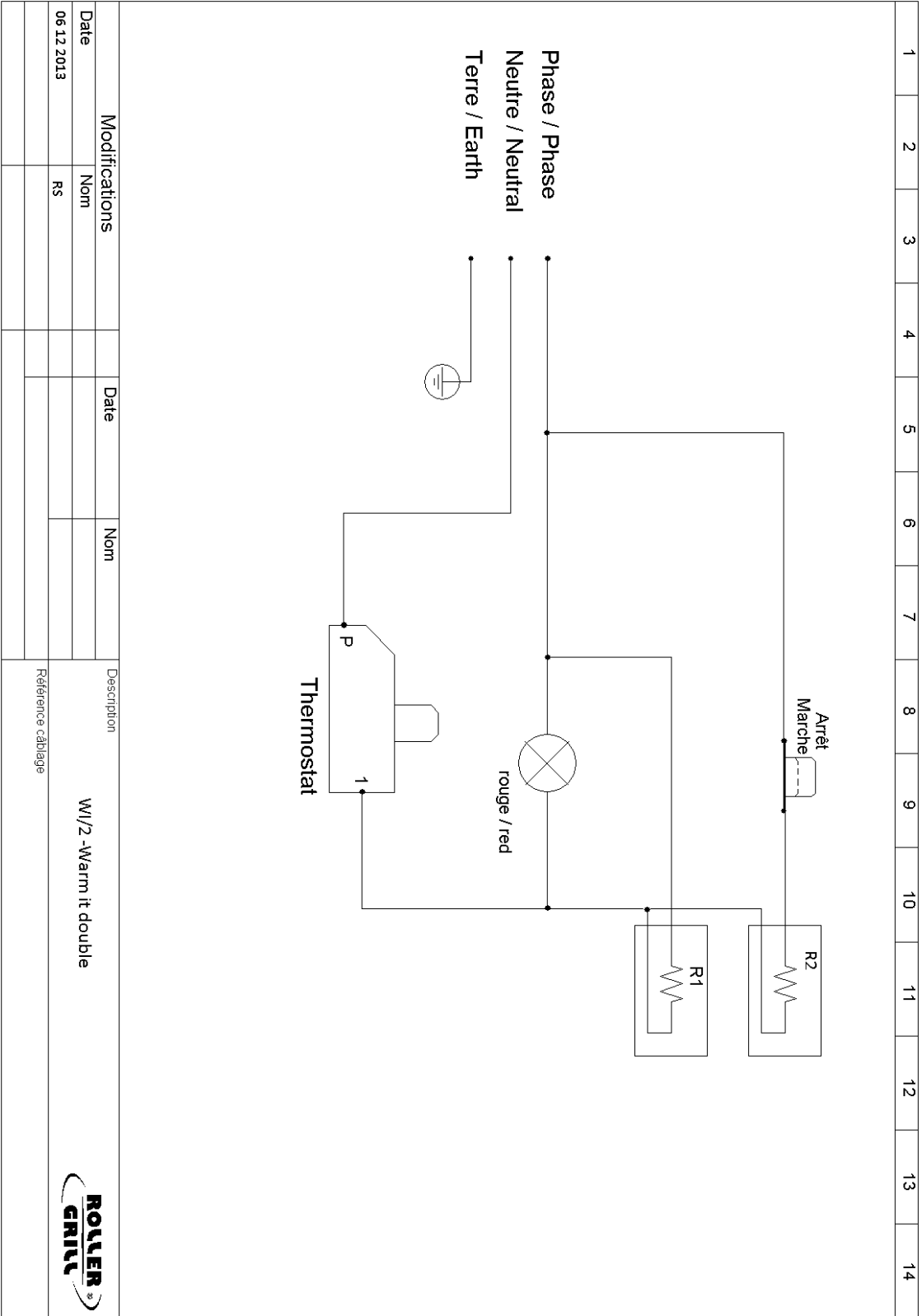
Exploded Diagram Warm-It Double



Spare Parts Warm-It Double

Rep	Code	Qty	Pièce	Spare part
1	F07026	2	Bouteille plastique	Plastic bottle
2	D02174	2	Element chauffant	Heating element
3	H04221SER	1	Jeu coques plastique	Plastic side (set) right and left
4	A02031	1	Minuterie	Timer
5	A12020	4	Pied	Foot
6	40306	1	Cale présentoir	Holder block
7	40305	1	Présentoir	Holder
8	OEM 0011	1	Cordon avec prise	Cord with plug
9	40303SE	1	Ceinture +bac+collage	Casing+tank
10	A08007	1	Voyant vert	Green pilot light
11	A07014	1	Bouton poussoir	Rear Chamber Power Switch
12	A14111	1	Bouton	Knob
13	A01020	1	Commutateur	Main Power Switch
14	A06021	1	Thermostat	Thermostat
15	40304	1	Fond	Bottom

Electrical Diagram Warm-It Double





LIMITED WARRANTY

Your new **EQUIPEX** product is warranted to the original purchaser for a period of one year from the date of purchase.

This limited warranty is against defects from original factory imperfections in material and/or workmanship and includes labor for replacement of defective parts, provided repairs are performed by an authorized service agency. Our obligation under this warranty is limited to repairing or replacing any part or parts thereof. The CUSTOMER must inform the Service Agency of warranty coverage and provide a copy of the dated sales or delivery receipt BEFORE WARRANTY REPAIRS BEGIN. Replacement parts and accessories are warranted for ninety (90) days from the date of purchase when purchased separately and will be verified by dated sales receipt or packing slip for that item. All parts or accessories replaced under warranty must be returned to the Service Agency.

This warranty applies only to equipment under normal use and service in the U.S.A. and Canada. It does not apply to any item which has been repaired or altered in any way so as, in the judgment of EQUIPEX, to affect its reliability.

THE FOLLOWING ARE NOT COVERED UNDER WARRANTY:

1. Damage caused by abuse, misuse or dropping or other similar incidental damage caused by, or as a result of, customer failure to follow assembly, operation, cleaning, user maintenance or storage instructions.
2. Labor to replace inoperative parts such as bulbs, plugs or racks due to normal wear and tear or abuse.
3. Materials or labor to repair scratched, stained, chipped, pitted, dented or discolored surfaces, attachments or accessories.
4. Transportation charges to or from a service agency for repair of your machine. If you should have questions relating to this issue, please call **Equipex** at 1-800-649-7885.
5. Labor charges to install or test attachments or accessories, which are replaced for any reason.
6. SHIPPING DAMAGES. Visible and hidden damages are the responsibility of the freight carrier. The consignee must file the claim promptly against the carrier. KEEP ALL ORIGINAL CONTAINERS AND PACKAGING MATERIAL FOR CARRIER INSPECTION.
7. Products placed or stored in the equipment are not subject to this warranty and no responsibility is assumed thereof.

THIS WARRANTY IS GIVEN EXPRESSLY AND IN LIEU OF ALL OTHER WARRANTIES, EXPRESSED OR IMPLIED, FOR MERCHANTABILITY AND FOR FITNESS TOWARD A PARTICULAR PURPOSE AND CONSTITUTES THE ONLY WARRANTY MADE BY EQUIPEX, LLC. IT NEITHER ASSUMES, NOR AUTHORIZES ANY PERSON TO ASSUME FOR US, ANY OTHER LIABILITY IN CONNECTION WITH THE SALE OF THE SUBJECT EQUIPMENT.

For service, please call **EQUIPEX** at 1-800-649-7885, menu option # 3

765 Westminster Street • Providence, Rhode Island 02903 • U.S.A.
Tel: (401) 273-3300 Fax: (401) 273-3328
www.equipex.com e-mail: service@equipex.com